

ARADA

— DEVON —

Stoves

Contents

Contemporary Living

Hoxton 7	5
Lagom Ceramic	7
Lagom Steel	9
M Series 5 Widescreen	11

Ecoburn

Ecoburn 5	13
Ecoburn 5 Widescreen	15
Ecoburn 7	17

Holborn

Holborn 5	19
Holborn 5 Widescreen	21
Holborn 7	23

Solution

Solution 4	25
Solution 5 Compact	27
Solution 5	29
Solution 5 Inset	31
Solution 5 Widescreen	33
Solution 7	35
Solution 7 Inset	37



About Arada

We've been proudly producing wood and multi fuel stoves for a long time. From modest beginnings to building up an experienced team of engineers, designers and fabricators producing domestic heating products for the UK and worldwide. We have been based at our Axminster site for almost two decades, but our company history actually goes back over half a century.

Today, we design, manufacture and distribute wood, multi-fuel, gas and electric stoves / fires.

Our focus is on the production and supply of the most desirable, efficient and lowest emission heating appliances to complement any cosy home.

Within this collection, you will find wood burning stoves that epitomise traditional design with an abundance of charm and character. Also featured are a selection of modern style wood burners. Clean-cut lines and big viewing windows emphasise the beauty of the fire whilst offering top efficiency ratings.





Features

Featuring a 7kw nominal heat output, the cylindrical base of the Hoxton benefits from a large viewing glass to allow for an expansive view of the flames. A click closure mechanism ensures optimum safety and prevents any debris from escaping from the stove door.

- 7.3kW heat output
- Ecodesign 2022
- Wood burning
- Lifetime guarantee
- Direct air compatible

Dimensions

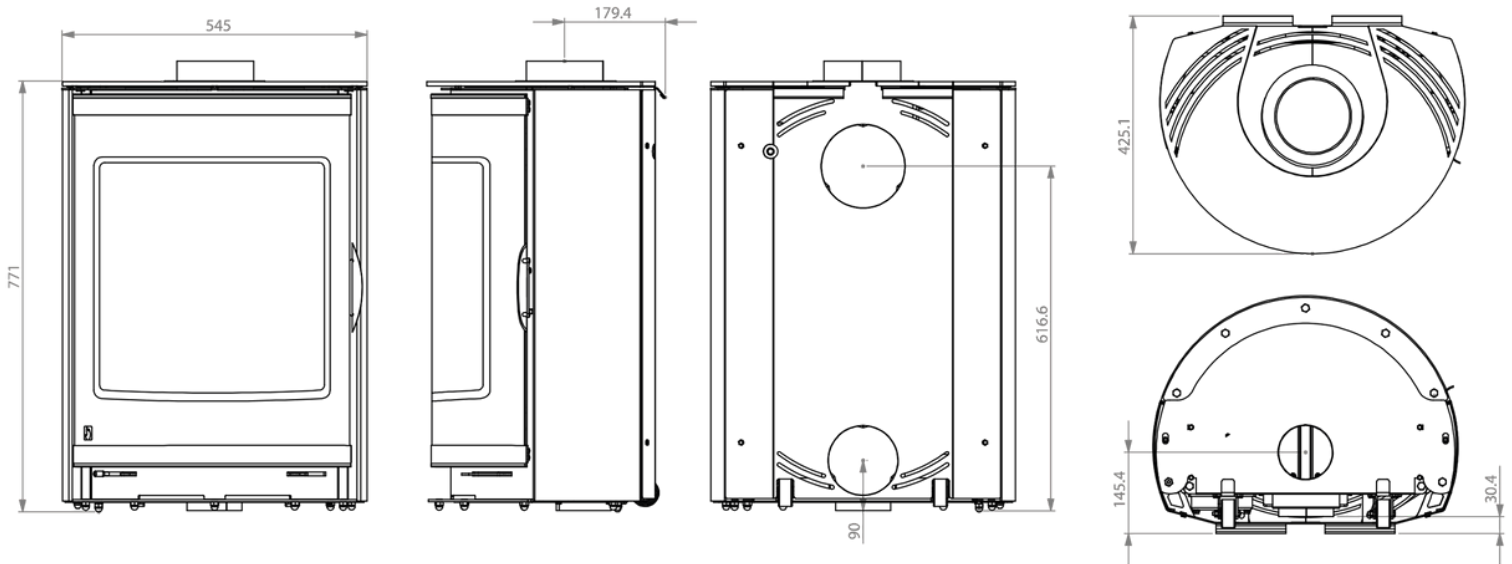
Width	545mm
Height	771mm
Depth	425mm
Ideal log length	250mm

Full specs overleaf



Optional Extras: Pedestals (short & tall) / Log Stores (short & tall)

Hoxton 7



Dimensions

Width (across footprint)	545 mm
Height (top of canopy to base)	771 mm
Short log store height / total height	219 mm / 990 mm
Tall log store height / total height	312 mm / 1083 mm
Short pedestal height / total height	206 mm / 977 mm
Tall pedestal height / total height	312 mm / 1083 mm
Depth	425 mm
Flue Diameter	127 mm
Depth from back to centre of top flue	180 mm
Axis height of rear flue	617 mm
Ideal log length / diameter	250 mm / 100 mm

Performance

Wood Fuel

Energy Efficiency Class	A
Nett Efficiency	78.6 %
Nominal Output	7.3 Kw
Mean Co Emission (@13% O ₂)	0.1%
DIN+ particulate	34 Nmg/m ³
Mean NO _x Emission (@13% O ₂)	85 Nmg/m ³
Mean OGC Emission (@13% O ₂)	80 Nmg/m ³
Flue Gas Mass Flow	5.6 g/s
Flue Gas Temperature	313 °C
Nominal output/hr (typical fuel load)	2.04 kWh/Kg (seasoned hardwood)

Features

Stove body type	Freestanding
Ecodesign Ready	Yes
Approved for smoke control areas	Yes
Suitable for direct air connection	Yes
Suitable for non-combustible 12mm hearth	Yes
Weight nett (unpacked kg)	113 Kg

Minimum distance to combustibles

With single-walled flue fitted	
Rear	250 mm
Side	500 mm
With twin-walled flue fitted	
Rear	200 mm
Side	500 mm
Max hearth temperature	32 °C

Direct air spigot location

(when viewing the rear side of the stove)

Spigot diameter	100 mm
Height from floor (standard feet)	90 mm
Axis distance from rear (from underneath)	146 mm
Lateral position	Centre

We recommend this appliance is installed with clearance of 100mm to non-combustible materials
Installation and operating instructions for this stove are available online at www.aradastoves.com.

Lagom 4 Ceramic



Features

Lagom 4 Ceramic. 4kW Ecodesign Ready stove. Distinctive modern white cylindrical body, low emission, superior fuel efficiency. Produced under licence by our EU partner.

- 4kW heat output
- Ecodesign 2022
- Wood burning
- 10 year guarantee
- Self-closing door
- Integrated storage area

Dimensions

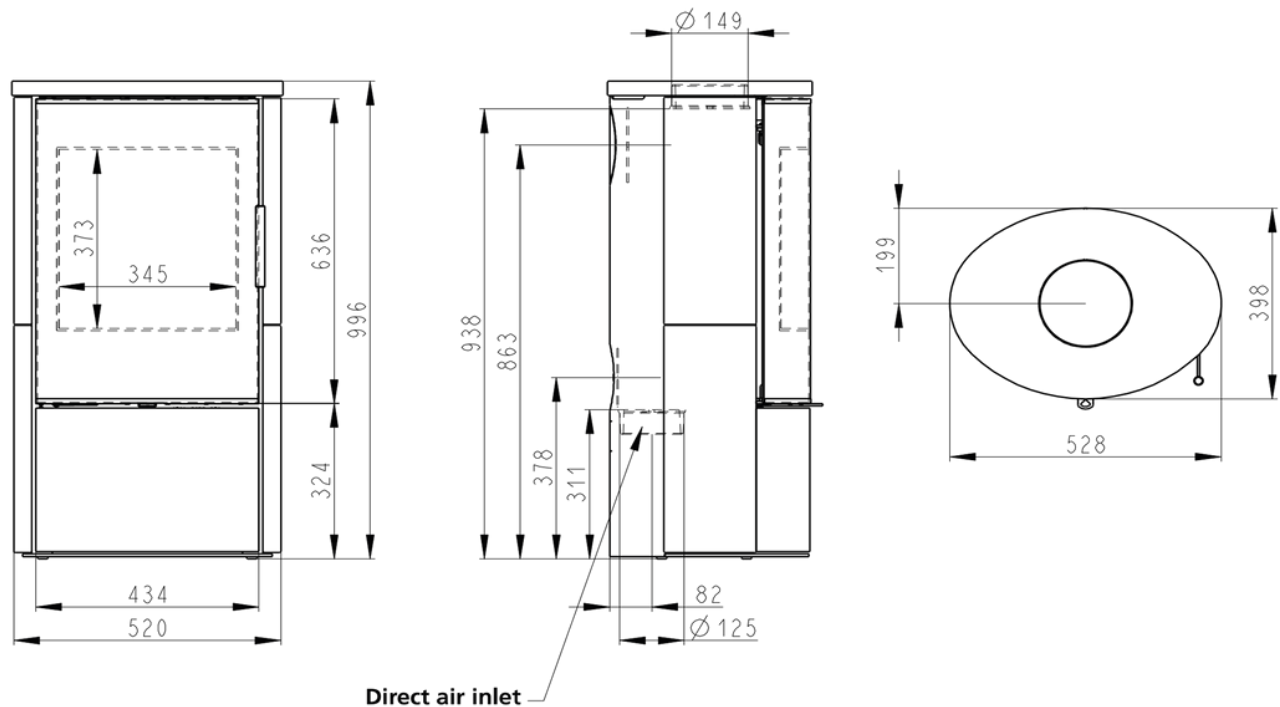
Width	528mm
Height	996mm
Depth	398mm
Ideal log length	250mm

Full specs overleaf



Optional Extras: Pedestals (short & tall) / Log Stores (short & tall)

Lagom 4 Ceramic



Direct air inlet

Dimensions

Width	528 mm
Height	996 mm
Depth	398 mm
Flue Diameter	149 mm
Depth from back to centre of top flue	199 mm
Axis height of rear flue	863 mm
Ideal log length	250 mm

Features

Stove body type	Freestanding
Ecodesign Ready	Yes
Approved for smoke control areas	No
Suitable for direct air connection	Yes
Suitable for non-combustible 12mm hearth	Yes
Weight gross (packed kg)	123 Kg

Performance

Wood Fuel

Energy Efficiency Class	A+
Nett Efficiency	80.5 %
Nominal Output	4.0 Kw
Mean Co Emission (@13% O2)	1192 mg/m ³
Mean CO2 Emission	9.59 %
DIN+ particulate	15 Nmg/m ³
Mean NOx Emission (@13% O2)	111 Nmg/m ³
Mean OGC Emission (@13% O2)	68 Nmg/m ³
Flue Gas Mass Flow	4 g/s
Flue Gas Temperature	247 °C
Average wood consumption	1.2kg / hr

Minimum distance to combustibles

With single-walled flue fitted

Rear	100 mm
Side	100 mm
Top	1200 mm

Direct air spigot location

(when viewing the rear side of the stove)

Spigot diameter	125 mm
Spigot orientation	Vertical
Height from floor	311 mm
Axis distance from rear	82 mm
Lateral position	Centre

We recommend this appliance is installed with clearance of 100mm to non-combustible materials
Installation and operating instructions for this stove are available online at www.aradastoves.com.



Features

Lagom 4 Steel. 4kW Ecodesign Ready stove. Distinctive modern cylindrical body, low emission, superior fuel efficiency. Produced under licence by our EU partner.

- 4kW heat output
- Ecodesign 2022
- Wood burning
- 10 year guarantee
- Self-closing door
- Integrated storage area

Dimensions

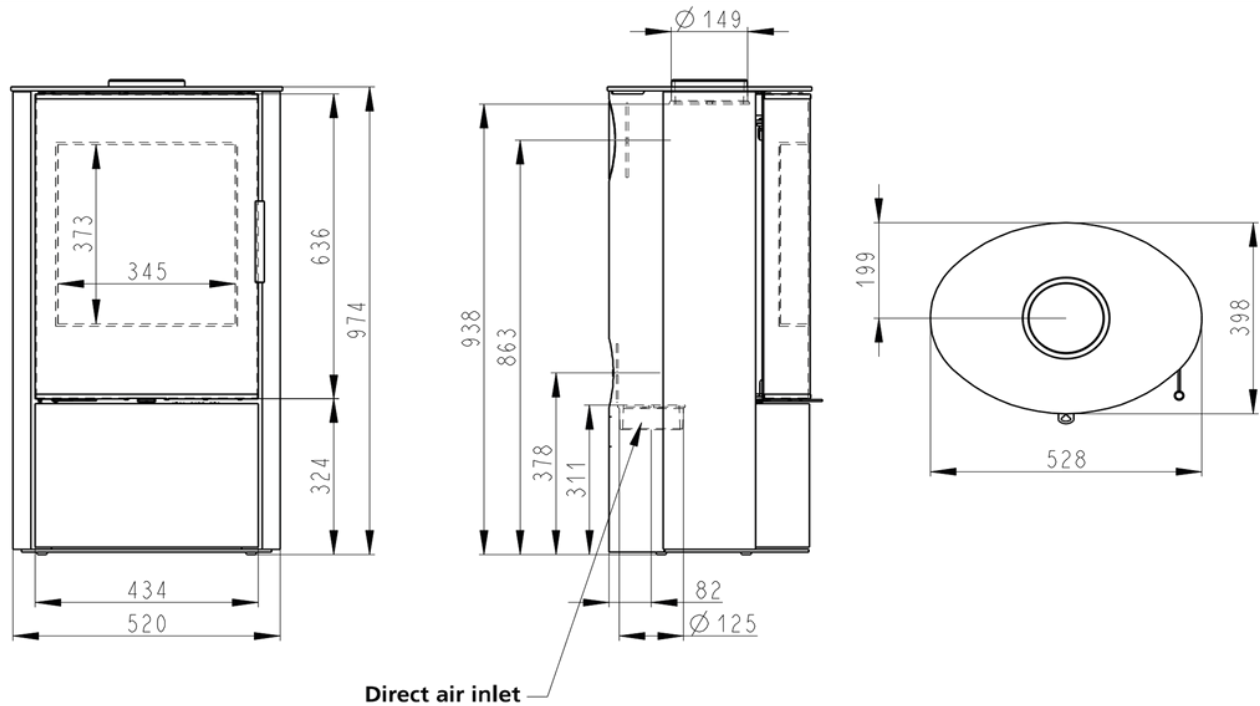
Width	528mm
Height	974mm
Depth	398mm
Ideal log length	250mm

Full specs overleaf



Optional Extras: Pedestals (short & tall) / Log Stores (short & tall)

Lagom 4 Steel



Dimensions

Width	528 mm
Height	974 mm
Depth	398 mm
Flue Diameter	149 mm
Depth from back to centre of top flue	199 mm
Axis height of rear flue	863 mm
Ideal log length	250 mm

Features

Stove body type	Freestanding
Ecodesign Ready	Yes
Approved for smoke control areas	No
Suitable for direct air connection	Yes
Suitable for non-combustible 12mm hearth	Yes
Weight gross (packed kg)	123 Kg

Performance

Wood Fuel

Energy Efficiency Class	A+
Nett Efficiency	80.5 %
Nominal Output	4.0 Kw
Mean Co Emission (@13% O ₂)	1192 mg/m ³
Mean CO ₂ Emission	9.59 %
DIN+ particulate	15 Nmg/m ³
Mean NO _x Emission (@13% O ₂)	111 Nmg/m ³
Mean OGC Emission (@13% O ₂)	68 Nmg/m ³
Flue Gas Mass Flow	4 g/s
Flue Gas Temperature	247 °C
Average wood consumption	1.2kg / hr

Minimum distance to combustibles

With single-walled flue fitted	
Rear	100 mm
Side	100 mm
Top	1200 mm

Direct air spigot location

(when viewing the rear side of the stove)

Spigot diameter	125 mm
Spigot orientation	Vertical
Height from floor	311 mm
Axis distance from rear	82 mm
Lateral position	Centre

We recommend this appliance is installed with clearance of 100mm to non-combustible materials
Installation and operating instructions for this stove are available online at www.aradastoves.com.

M Series Widescreen



Features

The super-efficient stove engine in the 4.9kW M Series 5 Widescreen stove is based upon our proven Ecodesign Ready technologies to give extended wood fuel efficiency and lower emissions than an open fire or a 10 year old stove

- 4.9kW heat output
- Ecodesign 2022
- Wood burning
- Lifetime guarantee
- Cast iron or steel door
- Top or rear 5" flue outlet

Dimensions

Width	525mm
Height	485mm
Depth	350mm
Ideal log length	375mm

Full specs overleaf



Optional Extras: Bolt on feet / Stand / Log Store / Direct air kit



Dimensions

Width	336 mm
Height (exc. Top flue collar)	485 mm
Depth (inc. Handle)	350 mm
Flue Diameter	127 mm
Total height on optional feet (exc. Top flue collar)	561.5 mm
Total height on optional stand (exc. Top flue collar)	684.5 mm
Total height on log store (exc. Top flue collar)	904.5 mm
Depth from back to centre of top flue	135 mm
Height to centre of rear flue	349 mm
Max log length / diameter	375mm / 100mm

Performance—Wood Fuel

	Wood Fuel
Energy Efficiency Class	A+
Nett Efficiency	81.3 %
Nominal Output	4.9 kW
Output Range	1.5 – 7 kW
Mean Co Emission (@13% O ₂)	0.10 %
DIN+ particulate	22 Nmg/m ³
Mean NO _x Emission (@13% O ₂)	82 Nmg/m ³
Mean OGC Emission (@13% O ₂)	68 Nmg/m ³
Flue Gas Mass Flow	4.1 g/s
Flue Gas Temperature	257 °C
Typical Fuel load for nominal rated output per hour (kWh/Kg)	1.15 (Seasoned hardwood)

Product Fiche

Supplier name	Arada
Product Code	M5CAST-5WS
Energy Efficiency Class (wood)	A+
Direct Heat Output (wood)	4.9 Kw
Indirect Heat Output (wood)	N/A
Energy Efficiency Index (wood)	108.9
The useful energy efficiency at nominal heat output and at minimum load (wood)	81.3 %

Specific precautions that shall be taken when the local space heater is assembled, installed or maintained:

Product should be installed in accordance with local building regulations. Appliance will become very hot during use.

Features

Flexifuel	No
Stove body type	Freestanding
Ecodesign Ready	Yes
Suitable for smoke control areas	Yes
Suitable for direct air connection	Yes
Suitable for non-combustible 12mm hearth	Yes
Weight gross (packed kg)	92 Kg
Weight nett (unpacked kg)	87 Kg

Minimum distance to combustibles

	A	B	C
Rear	650 mm	350 mm	150 mm
Side	350 mm	400 mm	350 mm
Max hearth temp	99 °C	99 °C	99 °C

A = Single Walled Flue, *without* Rear Heat Shield fitted
 B = Single Walled Flue, *with* Rear Heat Shield fitted
 C = Twin Walled Flue, *with* Rear Heat Shield fitted

Direct air spigot location

When viewing the rear side of stove

Spigot diameter	100 mm
Height from floor	54.5 mm
Lateral position	Centre



Features

The Ecoburn range comprises three models each featuring the latest and best new Arada heating technology that combines a traditional stove appearance with Ecodesign Ready credentials.

- 4.9kW heat output
- Ecodesign 2022
- Burns wood or solid fuel
- Lifetime guarantee
- Top or rear 5" flue outlet
- Direct air compatible

Dimensions

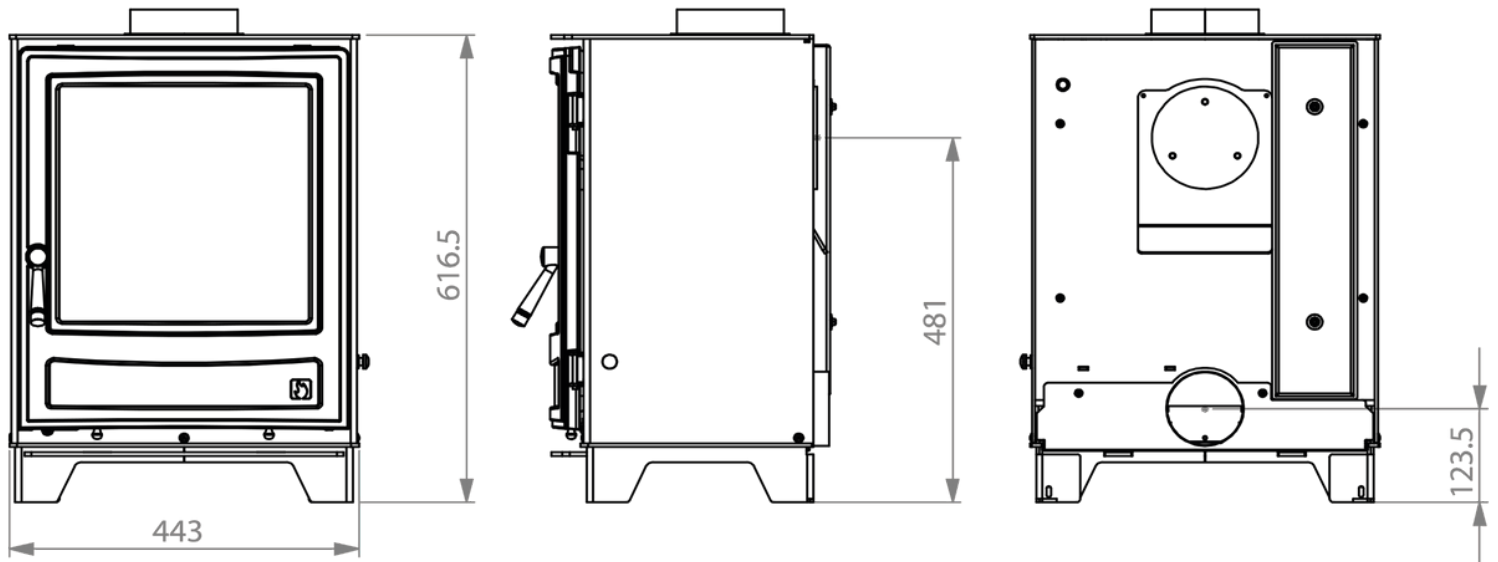
Width	453mm
Height	617mm
Depth	404mm
Ideal log length	300mm

Full specs overleaf



Optional Extras: Safety Handle / Rear Heat Shield / Direct Air Kit

Ecoburn 5 (Series 3)



Dimensions

Width (inc. riddle control)	453 mm
Height	617 mm
Depth	404 mm
Flue Diameter	127 mm
Depth from back to centre of top flue	134 mm
Height to centre of rear flue	481 mm
Ideal log length / diameter	300mm / 100mm

Features

Stove body type	Freestanding
Ecodesign Ready	Yes
Suitable for smoke control areas	Yes
Suitable for direct air connection	Yes
Suitable for non-combustible 12mm hearth	Yes
Weight gross (packed kg)	81.5 Kg
Weight nett (unpacked kg)	76.5 Kg

Performance

	Wood Fuel	Solid Fuel
Energy Efficiency Class	A	D
Nett Efficiency	79.8 %	82.3 %
Nominal Output	4.9 kW	4.9 kW
Output Range	4.2 - 5.5 kW	
Mean Co Emission (@13% O ₂)	0.11 %	0.1 %
DIN+ particulate	27 Nmg/m ³	10 Nmg/m ³
Mean NO _x Emission (@13% O ₂)	95 Nmg/m ³	94 Nmg/m ³
Mean OGC Emission (@13% O ₂)	86 Nmg/m ³	26 Nmg/m ³
Flue Gas Mass Flow	4.7 g/s	3.5 g/s
Flue Gas Temperature	255 °C	254°C
Typical Fuel load for nominal rated output per hour (kWh/Kg)	1.17 (Seasoned hardwood)	0.69 (MSF Maxibrite)

Minimum distance to combustibles

	A	B	C
Rear	700 mm	350 mm	75 mm
Side	550 mm	525 mm	500 mm
Max hearth temp.	53.9 °C	51 °C	50.9 °C

A = Single Walled Flue, without Rear Heat Shield fitted

B = Single Walled Flue, with Rear Heat Shield fitted

C = Twin Walled Flue, with Rear Heat Shield fitted

Direct air spigot location

(when viewing the rear side of the stove)

Horizontal position	Centre
Distance from floor to centre	123.5 mm

We recommend this appliance is installed with clearance of 100mm to non-combustible materials
Installation and operating instructions for this stove are available online at www.aradastoves.com.

Ecoburn 5 Widescreen S3



Features

The Ecoburn range comprises three models each featuring the latest and best new Arada heating technology that combines a traditional stove appearance with Ecodesign Ready credentials.

- 4.9kW heat output
- Ecodesign 2022
- Burns wood or solid fuel
- Lifetime guarantee
- Top or rear 5" flue outlet
- Direct air compatible

Dimensions

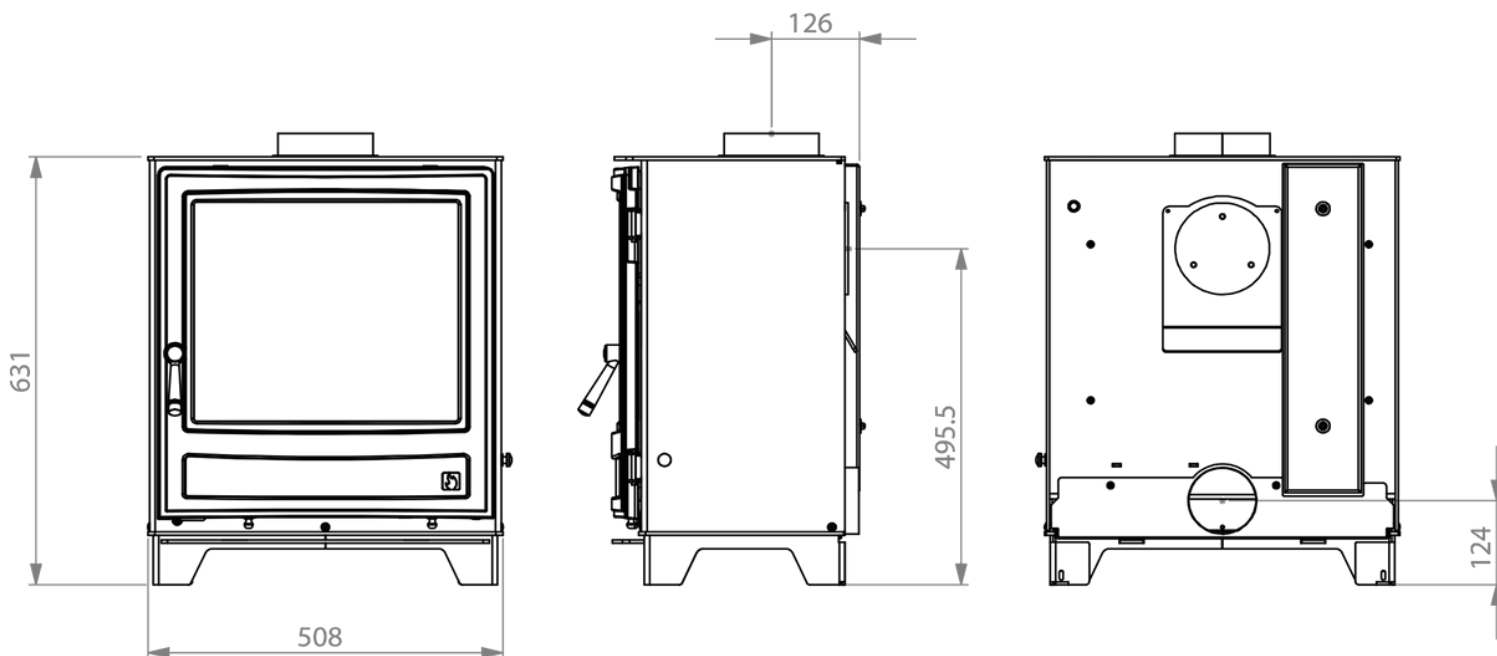
Width	518mm
Height	631mm
Depth	404mm
Ideal log length	375mm

Full specs overleaf



Optional Extras: Safety Handle / Rear Heat Shield / Direct Air Kit

Ecoburn 5 Widescreen (Series 3)



Dimensions

Width (inc riddle control)	518 mm
Height	631 mm
Depth	404 mm
Flue Diameter	127 mm
Depth from back to centre of top flue	134 mm
Height to centre of rear flue	496 mm
Ideal log length / diameter	375mm / 100mm

Features

Stove body type	Freestanding
Ecodesign Ready	Yes
Suitable for smoke control areas	Yes
Suitable for direct air connection	Yes
Suitable for non-combustible 12mm hearth	Yes
Weight gross (packed kg)	93 Kg
Weight nett (unpacked kg)	88 Kg

Performance

	Wood Fuel	Solid Fuel
Energy Efficiency Class	A+	E
Nett Efficiency	81.3 %	79.3 %
Nominal Output	4.9 kW	4.9 kW
Output Range	3.9 - 5.9 kW	
Mean Co Emission (@13% O ₂)	0.10 %	0.09 %
DIN+ particulate	22 Nmg/m ³	9 Nmg/m ³
Mean NO _x Emission (@13% O ₂)	82 Nmg/m ³	102 Nmg/m ³
Mean OGC Emission (@13% O ₂)	68 Nmg/m ³	19 Nmg/m ³
Flue Gas Mass Flow	4.1 g/s	4.2 g/s
Flue Gas Temperature	257 °C	281 °C
Typical Fuel load for nominal rated output per hour (kWh/Kg)	1.15 (Seasoned hardwood)	0.73 (MSF Maxibrite)

Minimum distance to combustibles

	A	B	C
Rear	650 mm	300 mm	50 mm
Side	450 mm	450 mm	250 mm
Max hearth temp.	87 °C	43.4 °C	51.1 °C

A = Single Walled Flue, without Rear Heat Shield fitted

B = Single Walled Flue, with Rear Heat Shield fitted

C = Twin Walled Flue, with Rear Heat Shield fitted

Direct air spigot location

(when viewing the rear side of the stove)

Horizontal position	Centre
Distance from floor to centre	124 mm

We recommend this appliance is installed with clearance of 100mm to non-combustible materials
Installation and operating instructions for this stove are available online at www.aradastoves.com.



Features

The Ecoburn range comprises three models each featuring the latest and best new Arada heating technology that combines a traditional stove appearance with Ecodesign Ready credentials.

- 7kW heat output
- Ecodesign 2022
- Burns wood or solid fuel
- Lifetime guarantee
- Top or rear 5" flue outlet
- Direct air compatible

Dimensions

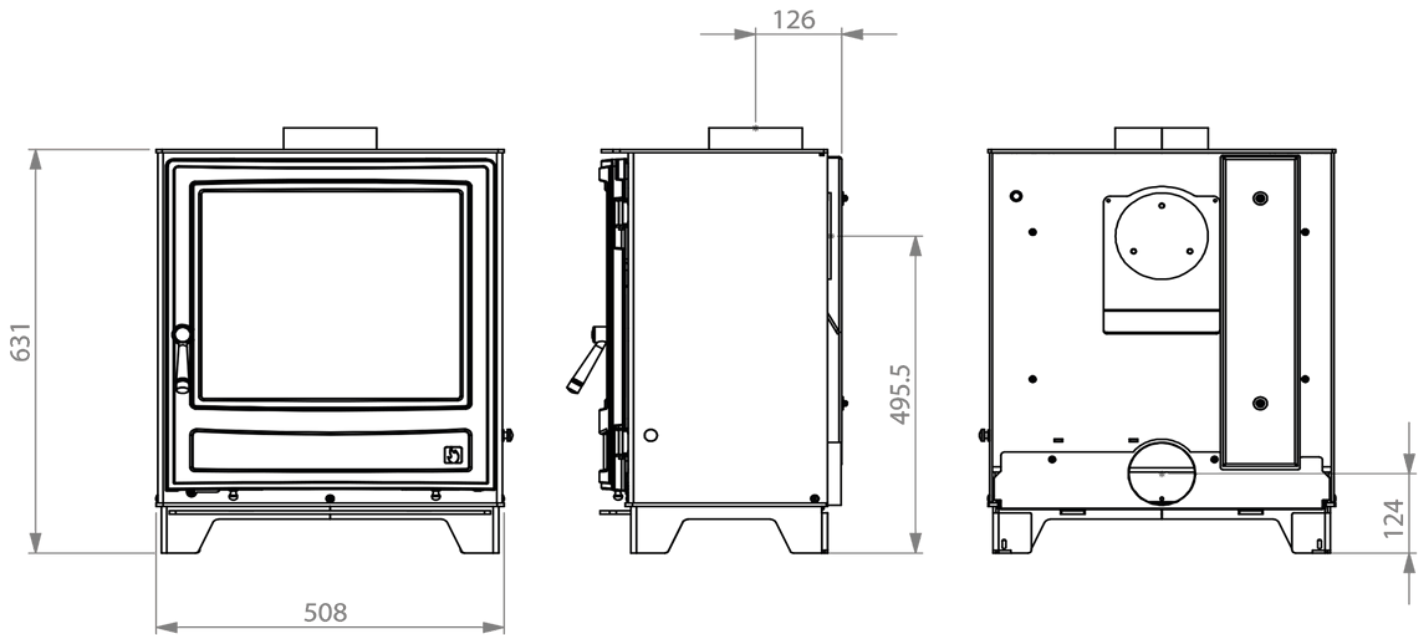
Width	513mm
Height	631mm
Depth	404mm
Ideal log length	375mm

Full specs overleaf



Optional Extras: Safety Handle / Rear Heat Shield / Direct Air Kit

Ecoburn 7 (Series 3)



Dimensions

Width (inc. riddle control)	518 mm
Height	631 mm
Depth	404 mm
Flue Diameter	127 mm
Depth from back to centre of top flue	134 mm
Height to centre of rear flue	496 mm
Ideal log length / diameter	375mm / 100mm

Features

Stove body type	Freestanding
Ecodesign Ready	Yes
Suitable for smoke control areas	Yes
Suitable for direct air connection	Yes
Suitable for non-combustible 12mm hearth	Yes
Weight gross (packed kg)	92 Kg
Weight nett (unpacked kg)	87 Kg

Performance

	Wood Fuel	Solid Fuel
Energy Efficiency Class	A	D
Nett Efficiency	79.8 %	81.2 %
Nominal Output	7.0 kW	7.1 kW
Output Range	5.1 - 7.7 kW	
Mean Co Emission (@13% O ₂)	0.09 %	0.11 %
DIN+ particulate	38 Nmg/m ³	10 Nmg/m ³
Mean NO _x Emission (@13% O ₂)	102 Nmg/m ³	116 Nmg/m ³
Mean OGC Emission (@13% O ₂)	72 Nmg/m ³	39 Nmg/m ³
Flue Gas Mass Flow	5.6 g/s	5.6 g/s
Flue Gas Temperature	310 °C	271 °C
Typical Fuel load for nominal rated output per hour (kWh/Kg)	1.55 (Seasoned hardwood)	1.01 (MSF Maxibrite)

Minimum distance to combustibles

	A	B	C
Rear	650 mm	350 mm	100 mm
Side	600 mm	600 mm	500 mm
Max hearth temp.	95 °C	91.9 °C	71.1 °C

A = Single Walled Flue, without Rear Heat Shield fitted
 B = Single Walled Flue, with Rear Heat Shield fitted
 C = Twin Walled Flue, with Rear Heat Shield fitted

Direct air spigot location

(when viewing the rear side of the stove)

Horizontal position	Centre
Distance from floor to centre	124 mm

We recommend this appliance is installed with clearance of 100mm to non-combustible materials
 Installation and operating instructions for this stove are available online at www.aradastoves.com.



Features

Available in 4.9kW and 7kW outputs, and also a 4.9kW Widescreen option with large door glass with a beautiful flame view. Regardless of which option you choose, each model is a stylish and easy-to-use heating companion for the home.

- 4.9kW heat output
- Ecodesign 2022
- Burns wood or solid fuel
- Lifetime guarantee
- Top or rear 5" flue outlet
- Direct air compatible

Dimensions

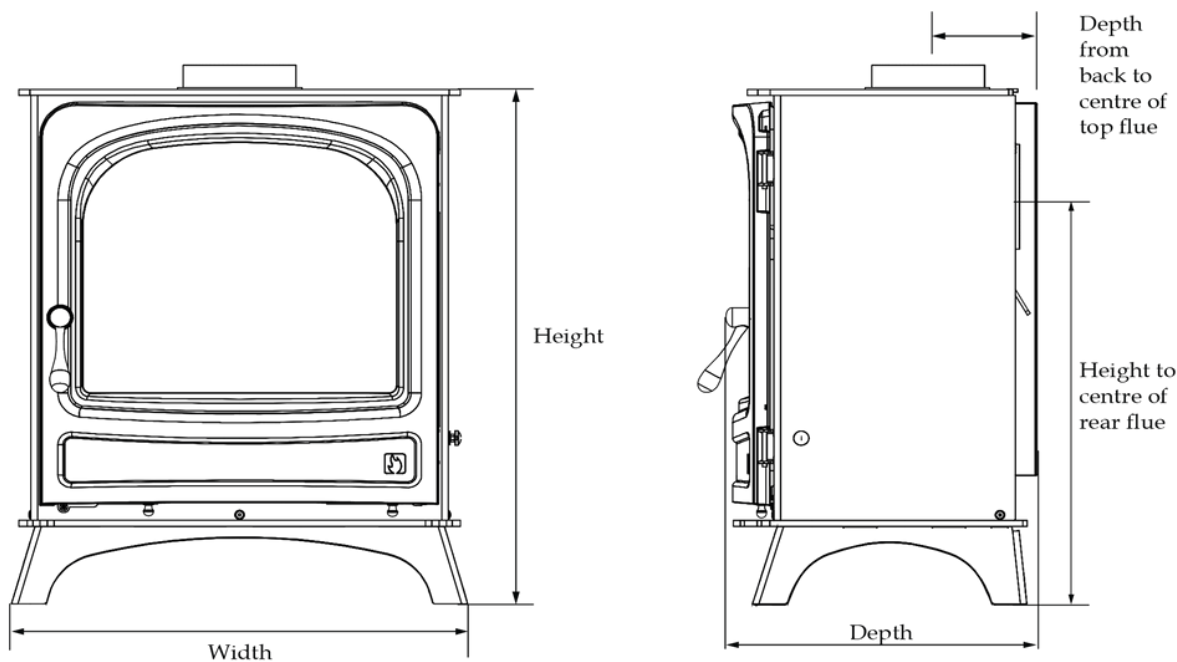
Width	485mm
Height	650mm
Depth	388mm
Ideal log length	300mm

Full specs overleaf



Optional Extras: Multi fuel kit / Rear heat shield / Direct air adaptor

Holborn 5



Dimensions

Width	485 mm
Height	650 mm
Depth	388 mm
Flue Diameter	127 mm
Depth from back to centre of top flue	134 mm
Height to centre of rear flue	512 mm
Ideal log length / diameter	300mm / 100mm

Features

Stove body type	Freestanding
Ecodesign Ready	Yes
Suitable for smoke control areas	Yes
Suitable for direct air connection	Yes
Suitable for non-combustible 12mm hearth	Yes
Weight gross (packed kg)	81.5 Kg
Weight nett (unpacked kg)	76.5 Kg

Performance

	Wood Fuel	Solid Fuel
Energy Efficiency Class	A	D
Nett Efficiency	79.8 %	82.3 %
Nominal Output	4.9 kW	4.9 kW
Output Range	4.2 - 5.5 kW	
Mean Co Emission (@13% O ₂)	0.11 %	0.1 %
DIN+ particulate	27 Nmg/m ³	10 Nmg/m ³
Mean NO _x Emission (@13% O ₂)	95 Nmg/m ³	94 Nmg/m ³
Mean OGC Emission (@13% O ₂)	86 Nmg/m ³	26 Nmg/m ³
Flue Gas Mass Flow	4.7 g/s	3.5 g/s
Flue Gas Temperature	255 °C	254°C
Typical Fuel load for nominal rated output per hour (kWh/Kg)	1.17 (Seasoned hardwood)	0.69 (MSF Maxibrite)

Note: Solid fuel figures achieved with optional solid fuel kit installed

Direct air spigot location

(when viewing the rear side of the stove)

Distance from right hand side to centre	219 mm
Distance from floor to centre	106 mm

Minimum distance to combustibles

	A	B	C
Rear	700 mm	350 mm	75 mm
Side	550 mm	525 mm	500 mm
Max hearth temp.	51 °C	52 °C	51 °C

A = Single Walled Flue, without Rear Heat Shield fitted

B = Single Walled Flue, with Rear Heat Shield fitted

C = Twin Walled Flue, with Rear Heat Shield fitted

We recommend this appliance is installed with clearance of 100mm to non-combustible materials
Installation and operating instructions for this stove are available online at www.aradastoves.com.

Holborn 5 Widescreen



Features

Available in 4.9kW and 7kW outputs, and also a 4.9kW Widescreen option with large door glass with a beautiful flame view. Regardless of which option you choose, each model is a stylish and easy-to-use heating companion for the home.

- 4.9kW heat output
- Ecodesign 2022
- Burns wood or solid fuel
- Lifetime guarantee
- Top or rear 5" flue outlet
- Direct air compatible

Dimensions

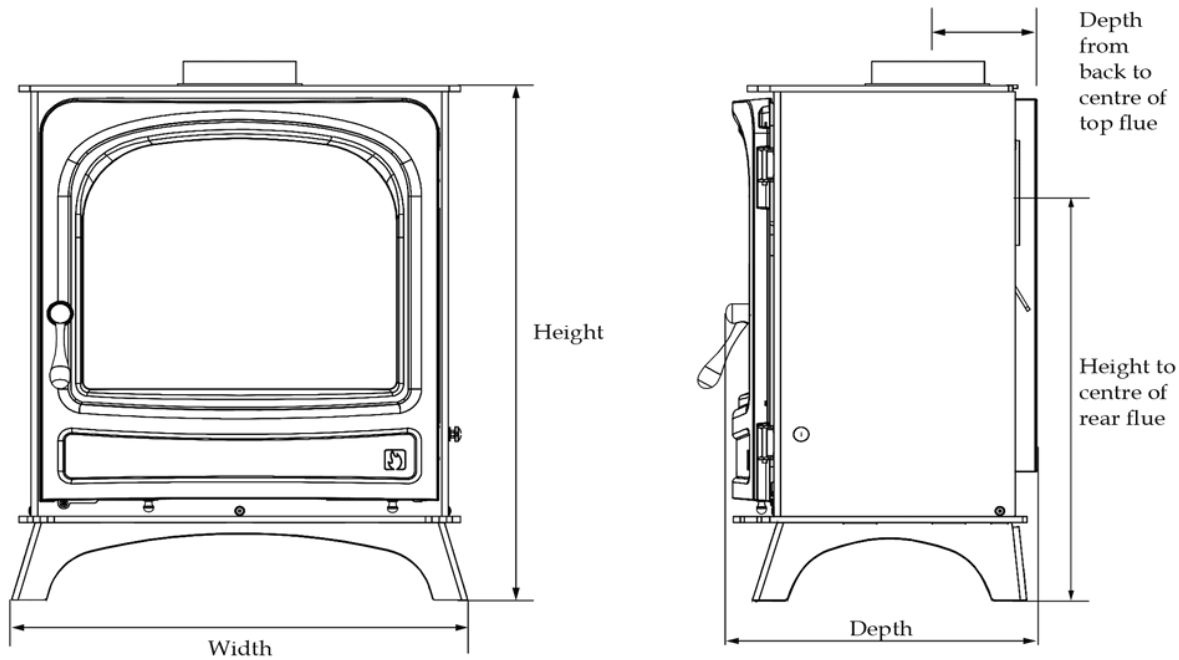
Width	550mm
Height	665mm
Depth	388mm
Ideal log length	375mm

Full specs overleaf



Optional Extras: Multi fuel kit / Rear heat shield / Direct air adaptor

Holborn 5 Widescreen



Dimensions

Width	550 mm
Height	665 mm
Depth	388 mm
Flue Diameter	127 mm
Depth from back to centre of top flue	134 mm
Height to centre of rear flue	526 mm
Ideal log length / diameter	375mm / 100mm

Features

Stove body type	Freestanding
Ecodesign Ready	Yes
Suitable for smoke control areas	Yes
Suitable for direct air connection	Yes
Suitable for non-combustible 12mm hearth	Yes
Weight gross (packed kg)	93 Kg
Weight nett (unpacked kg)	88 Kg

Performance

	Wood Fuel	Solid Fuel
Energy Efficiency Class	A	D
Nett Efficiency	81.3 %	79.3 %
Nominal Output	4.9 kW	4.9 kW
Output Range	3.9 - 5.9 kW	
Mean Co Emission (@13% O ₂)	0.1 %	0.09 %
DIN+ particulate	22 Nmg/m ³	9 Nmg/m ³
Mean NO _x Emission (@13% O ₂)	82 Nmg/m ³	102 Nmg/m ³
Mean OGC Emission (@13% O ₂)	68 Nmg/m ³	19 Nmg/m ³
Flue Gas Mass Flow	4.1 g/s	4.2 g/s
Flue Gas Temperature	257 °C	281 °C
Typical Fuel load for nominal rated output per hour (kWh/Kg)	1.15 (Seasoned hardwood)	0.73 (MSF Maxibrite)

Note: Solid fuel figures achieved with optional solid fuel kit installed

Direct air spigot location

(when viewing the rear side of the stove)

Lateral position	Centre
Distance from floor to centre	123.5 mm

Minimum distance to combustibles

	A	B	C
Rear	650 mm	300 mm	50 mm
Side	450 mm	450 mm	250 mm
Max hearth temp.	86.2 °C	43.4 °C	51.1 °C

A = Single Walled Flue, without Rear Heat Shield fitted

B = Single Walled Flue, with Rear Heat Shield fitted

C = Twin Walled Flue, with Rear Heat Shield fitted

We recommend this appliance is installed with clearance of 100mm to non-combustible materials
 Installation and operating instructions for this stove are available online at www.aradastoves.com.



Features

Available in 4.9kW and 7kW outputs, and also a 4.9kW Widescreen option with large door glass with a beautiful flame view. Regardless of which option you choose, each model is a stylish and easy-to-use heating companion for the home.

- 7kW heat output
- Ecodesign 2022
- Burns wood or solid fuel
- Lifetime guarantee
- Top or rear 5" flue outlet
- Direct air compatible

Dimensions

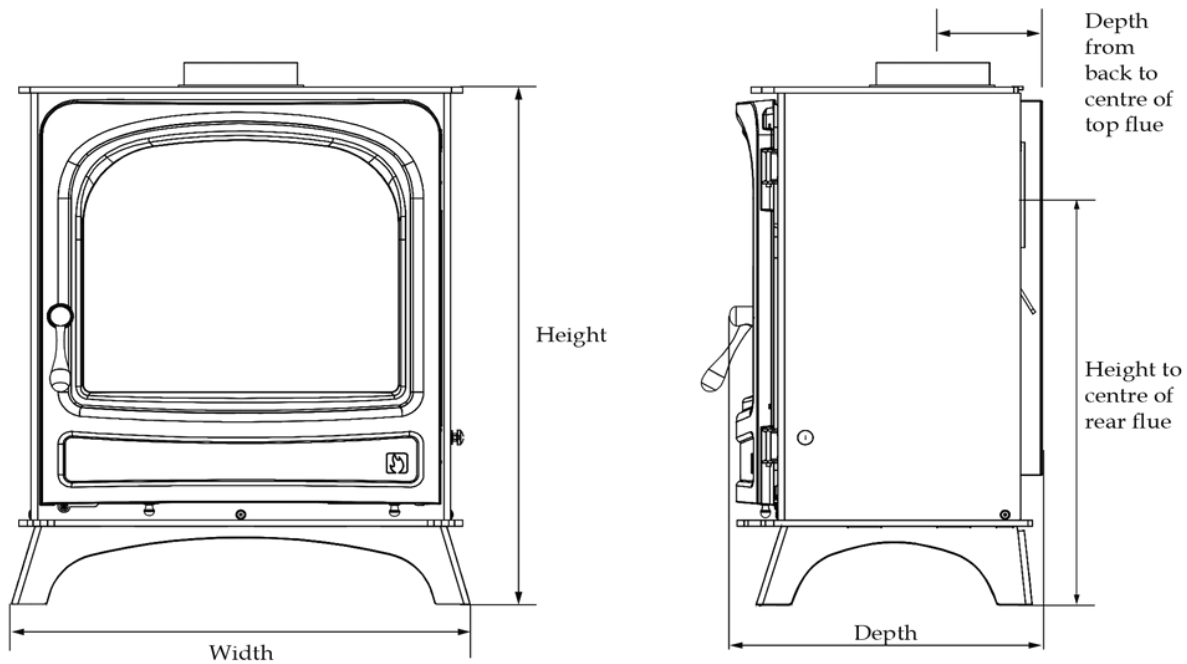
Width	550mm
Height	665mm
Depth	388mm
Ideal log length	375mm

Full specs overleaf



Optional Extras: Multi fuel kit / Rear heat shield / Direct air adaptor

Holborn 7



Dimensions

Width	550 mm
Height	665 mm
Depth	388 mm
Flue Diameter	127 mm
Depth from back to centre of top flue	134 mm
Height to centre of rear flue	526 mm
Ideal log length / diameter	375mm / 100mm

Features

Stove body type	Freestanding
Ecodesign Ready	Yes
Suitable for smoke control areas	Yes
Suitable for direct air connection	Yes
Suitable for non-combustible 12mm hearth	Yes
Weight gross (packed kg)	92 Kg
Weight nett (unpacked kg)	87 Kg

Performance

	Wood Fuel	Solid Fuel
Energy Efficiency Class	A	D
Nett Efficiency	78.2 %	81.2 %
Nominal Output	7 kW	7.1 kW
Output Range	5.1 - 7.7 kW	
Mean Co Emission (@13% O ₂)	0.09 %	0.11 %
DIN+ particulate	38 Nmg/m ³	10 Nmg/m ³
Mean NO _x Emission (@13% O ₂)	102 Nmg/m ³	116 Nmg/m ³
Mean OGC Emission (@13% O ₂)	72 Nmg/m ³	39 Nmg/m ³
Flue Gas Mass Flow	5.6 g/s	5.6 g/s
Flue Gas Temperature	310 °C	271 °C
Typical Fuel load for nominal rated output per hour (kWh/Kg)	1.55 (Seasoned hardwood)	1.01 (MSF Maxibrite)

Note: Solid fuel figures achieved with optional solid fuel kit installed

Direct air spigot location

(when viewing the rear side of the stove)

Lateral position	Centre
Distance from floor to centre	123.5 mm

Minimum distance to combustibles

	A	B	C
Rear	650 mm	350 mm	100 mm
Side	600 mm	600 mm	500 mm
Max hearth temp.	95 °C	91.9 °C	71.1 °C

A = Single Walled Flue, without Rear Heat Shield fitted

B = Single Walled Flue, with Rear Heat Shield fitted

C = Twin Walled Flue, with Rear Heat Shield fitted

We recommend this appliance is installed with clearance of 100mm to non-combustible materials
Installation and operating instructions for this stove are available online at www.aradastoves.com.

Solution 4



Features

The humble size of this 4.4 kW stove makes it ideal for installation not just in the home but also smaller living spaces such as a canal boat or shepherd hut. Its multi fuel function will let you burn seasoned wood or solid smokeless fuel and is very easy to control.

- 4.6kW heat output
- Ecodesign 2022
- Burns wood or solid fuel
- 10 year guarantee
- Top or rear 5" flue outlet

Dimensions

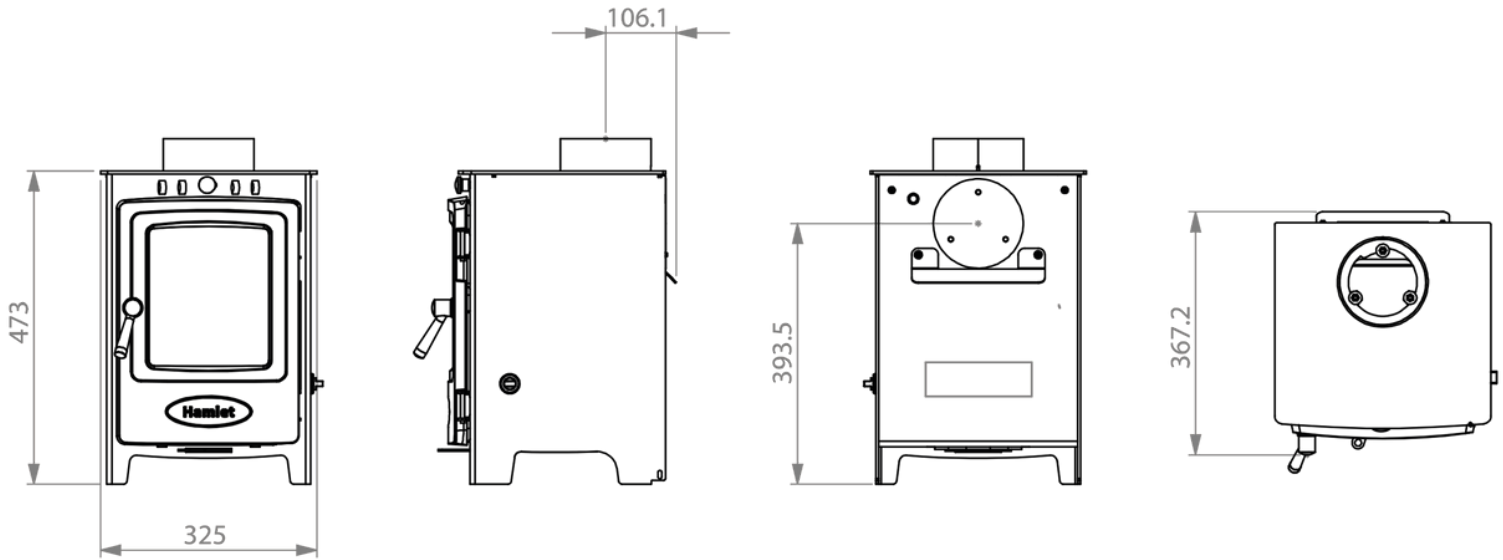
Width	334mm
Height	473mm
Depth	387mm
Ideal log length	200mm

Full specs overleaf



Optional Extras: Safety Handle / Rear heat shield / Direct air connection

Solution 4 (Series 4)



Dimensions

Width (inc. across canopy and riddle boss)	334 mm
Height	473 mm
Depth	387 mm
Flue Diameter	127 mm
Depth from back to centre of top flue	90 mm
Height to centre of rear flue	393.5 mm
Ideal log length / diameter	200mm / 100mm

Features

Stove body type	Freestanding
Ecodesign Ready	Yes
Suitable for smoke control areas	Yes
Suitable for direct air connection	Yes *
Suitable for non-combustible 12mm hearth	Yes
Weight gross (packed kg)	62 Kg
Weight nett (unpacked kg)	58 Kg

Performance

	Wood Fuel	Solid Fuel
Energy Efficiency Class	A+	E
Nett Efficiency	83.1 %	75.5 %
Nominal Output	4.6 kW	4.4 kW
Output Range	3.5 - 6 kW	
Mean Co Emission (@13% O ₂)	0.10 %	0.11 %
DIN+ particulate	28 Nmg/m ³	16 Nmg/m ³
Mean NO _x Emission (@13% O ₂)	113 Nmg/m ³	150 Nmg/m ³
Mean OGC Emission (@13% O ₂)	91 Nmg/m ³	45 Nmg/m ³
Flue Gas Mass Flow	3.7 g/s	3.8 g/s
Flue Gas Temperature	232 °C	300 °C
Typical Fuel load for nominal rated output per hour (kWh/Kg)	0.94 (Seasoned hardwood)	0.70 (MSF Maxibrite)

Minimum distance to combustibles

	A	B	C
Rear	650 mm	375 mm	225 mm
Side	650 mm	650 mm	650 mm
Max hearth temp.	92 °C	92 °C	92 °C

A = Single Walled Flue, without Rear Heat Shield fitted
 B = Single Walled Flue, with Rear Heat Shield fitted
 C = Twin Walled Flue, with Rear Heat Shield fitted

Direct air spigot location

(when viewing the rear side of the stove)

Horizontal position	Centre
Distance from floor to centre	TBA mm

We recommend this appliance is installed with clearance of 100mm to non-combustible materials.

Installation and operating instructions for this stove are available online at www.aradastoves.com.

* Note: The optional direct air adaptor for this model is not room-sealed and should not be installed on a stove in an air-tight property.

Solution 5 Compact



Features

The Solution range combines a traditional stove appearance with Ecodesign Ready credentials. Its multi fuel function will let you burn seasoned wood or solid smokeless fuel and is very easy to control.

- 4.8kW heat output
- Ecodesign 2022
- Burns wood or solid fuel
- 10 year guarantee
- Top or rear 5" flue outlet

Dimensions

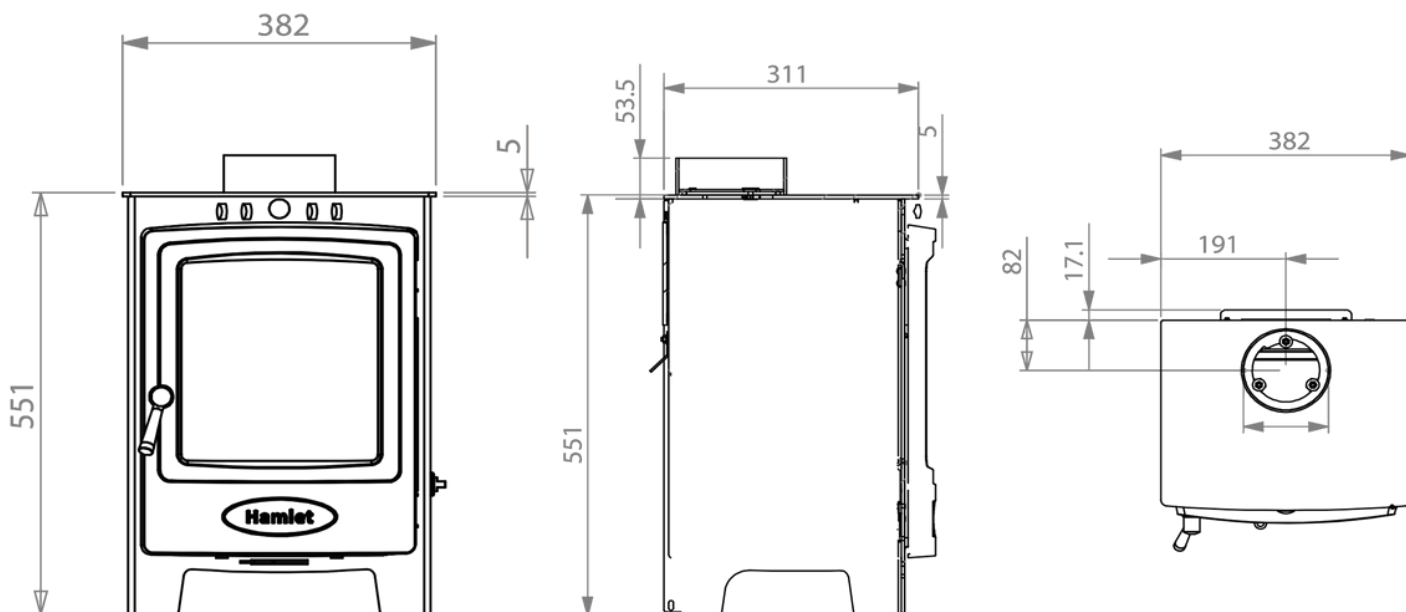
Width	397mm
Height	551mm
Depth	387mm
Ideal log length	200mm

Full specs overleaf



Optional Extras: Safety Handle / Rear heat shield / Direct air connection

Solution 5 Compact (Series 4)



Dimensions

Width (inc. riddling control)	397 mm
Height	551 mm
Depth	387 mm
Flue Diameter	127 mm
Depth from back to centre of top flue	82 mm
Height to centre of rear flue	448 mm
Ideal log length / diameter	200mm / 100mm

Features

Stove body type	Freestanding
Ecodesign Ready	Yes
Suitable for smoke control areas	Yes
Suitable for direct air connection	Yes *
Suitable for non-combustible 12mm hearth	Yes
Weight gross (packed kg)	63 Kg
Weight nett (unpacked kg)	59 Kg

Performance

	Wood Fuel	Solid Fuel
Energy Efficiency Class	A	E
Nett Efficiency	81 %	79.9 %
Nominal Output	4.8 kW	4.8 kW
Output Range	3.9 - 6.1 kW	
Mean Co Emission (@13% O ₂)	0.12 %	0.12 %
DIN+ particulate	11 Nmg/m ³	18 Nmg/m ³
Mean NO _x Emission (@13% O ₂)	60 Nmg/m ³	101 Nmg/m ³
Mean OGC Emission (@13% O ₂)	79 Nmg/m ³	56 Nmg/m ³
Flue Gas Mass Flow	3.9 g/s	3.5 g/s
Flue Gas Temperature	259 °C	275 °C
Typical Fuel load for nominal rated output per hour (kWh/Kg)	1.10 (Seasoned hardwood)	0.75 (MSF Maxibrite)

Direct air spigot location

(when viewing the rear side of the stove)

Horizontal position	Centre
Distance from floor to centre	TBA mm

Minimum distance to combustibles

	A	B	C
Rear	700 mm	400 mm	250 mm
Side	500 mm	700 mm	700 mm
Max hearth temp.	53.9 °C	98 °C	98 °C

A = Single Walled Flue, without Rear Heat Shield fitted

B = Single Walled Flue, with Rear Heat Shield fitted

C = Twin Walled Flue, with Rear Heat Shield fitted

We recommend this appliance is installed with clearance of 100mm to non-combustible materials.

Installation and operating instructions for this stove are available online at www.aradastoves.com.

* Note: The optional direct air adaptor for this model is not room-sealed and should not be installed on a stove in an air-tight property.

Solution 5



Features

Available in 4.9kW and 7kW outputs, and also a 4.9kW Widescreen option with large door glass with a beautiful flame view. Regardless of which option you choose, each model is a stylish and easy-to-use heating companion for the home.

- 4.9kW heat output
- Ecodesign 2022
- Burns wood or solid fuel
- 10 year guarantee
- Top or rear 5" flue outlet

Dimensions

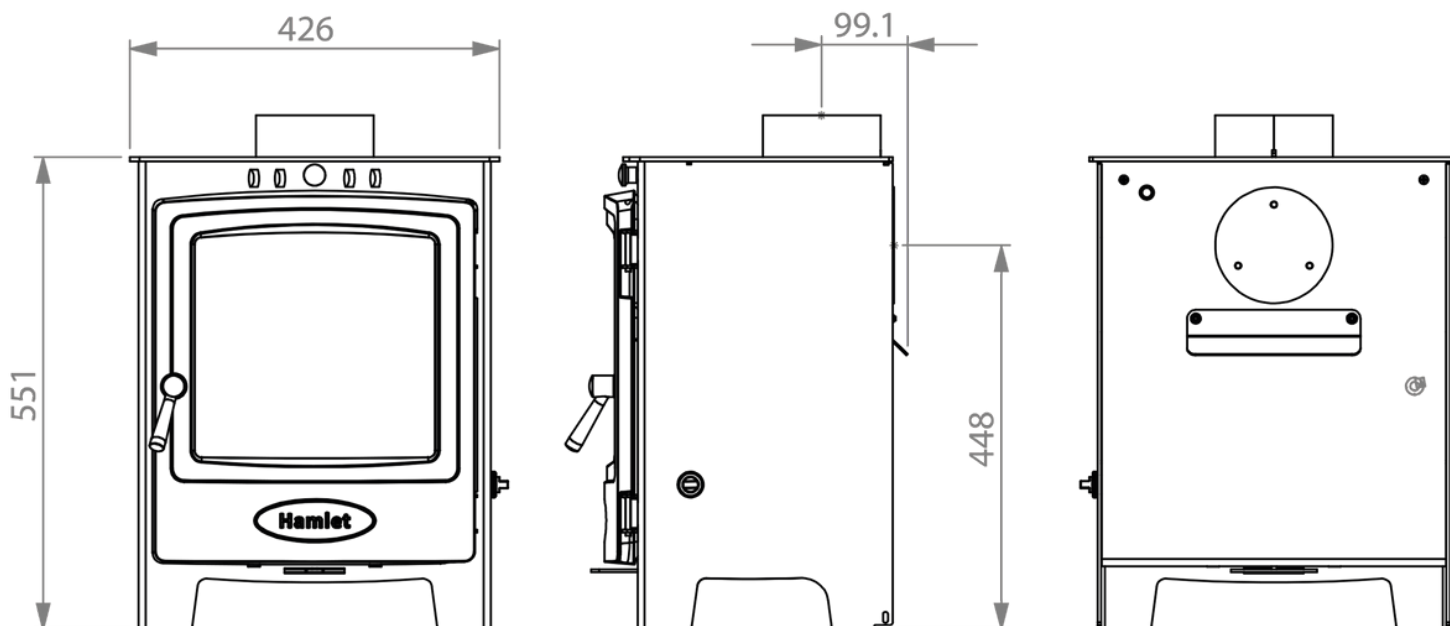
Width	436mm
Height	551mm
Depth	387mm
Ideal log length	300mm

Full specs overleaf



Optional Extras: Safety Handle / Rear heat shield / Direct air connection

Solution 5 (Series 4)



Dimensions

Width (inc. riddle control)	436 mm
Height	551 mm
Depth	387 mm
Flue Diameter	127 mm
Depth from back to centre of top flue	82 mm
Height to centre of rear flue	448 mm
Ideal log length / diameter	300mm / 100mm

Features

Stove body type	Freestanding
Ecodesign Ready	Yes
Suitable for smoke control areas	Yes
Suitable for direct air connection	Yes *
Suitable for non-combustible 12mm hearth	Yes
Weight gross (packed kg)	68.5 Kg
Weight nett (unpacked kg)	63 Kg

Performance

	Wood Fuel	Solid Fuel
Energy Efficiency Class	A	E
Nett Efficiency	80.6 %	79.7 %
Nominal Output	4.9 kW	4.9 kW
Output Range	4.4 - 6.9 kW	
Mean Co Emission (@13% O ₂)	0.09 %	0.11 %
DIN+ particulate	22 Nmg/m ³	33 Nmg/m ³
Mean NO _x Emission (@13% O ₂)	104 Nmg/m ³	132 Nmg/m ³
Mean OGC Emission (@13% O ₂)	67 Nmg/m ³	44 Nmg/m ³
Flue Gas Mass Flow	4.0 g/s	3.8 g/s
Flue Gas Temperature	265 °C	275 °C
Typical Fuel load for nominal rated output per hour (kWh/Kg)	1.10 (Seasoned hardwood)	0.75 (MSF Maxibrite)

Direct air spigot location

(when viewing the rear side of the stove)

Horizontal position	Centre
Distance from floor to centre	TBA mm

Minimum distance to combustibles

	A	B	C
Rear	750 mm	500 mm	350 mm
Side	550 mm	550 mm	550 mm
Max hearth temp.	54 °C	54 °C	58 °C

A = Single Walled Flue, without Rear Heat Shield fitted
 B = Single Walled Flue, with Rear Heat Shield fitted
 C = Twin Walled Flue, with Rear Heat Shield fitted

We recommend this appliance is installed with clearance of 100mm to non-combustible materials. Installation and operating instructions for this stove are available online at www.aradastoves.com.

* Note: The optional direct air adaptor for this model is not room-sealed and should not be installed on a stove in an air-tight property.

Solution 5 Inset



Features

Ecodesign Ready and with a classic look. This inset-bodied stove is multi fuel allowing you to burn seasoned wood or solid smokeless fuel. The Solution 5 Inset stove is easy to control and certain to keep your home warm and cosy.

- 5kW heat output
- Ecodesign 2022
- Burns wood or solid fuel
- 10 year guarantee
- 5" flue outlet angle from verticle 30°

Dimensions

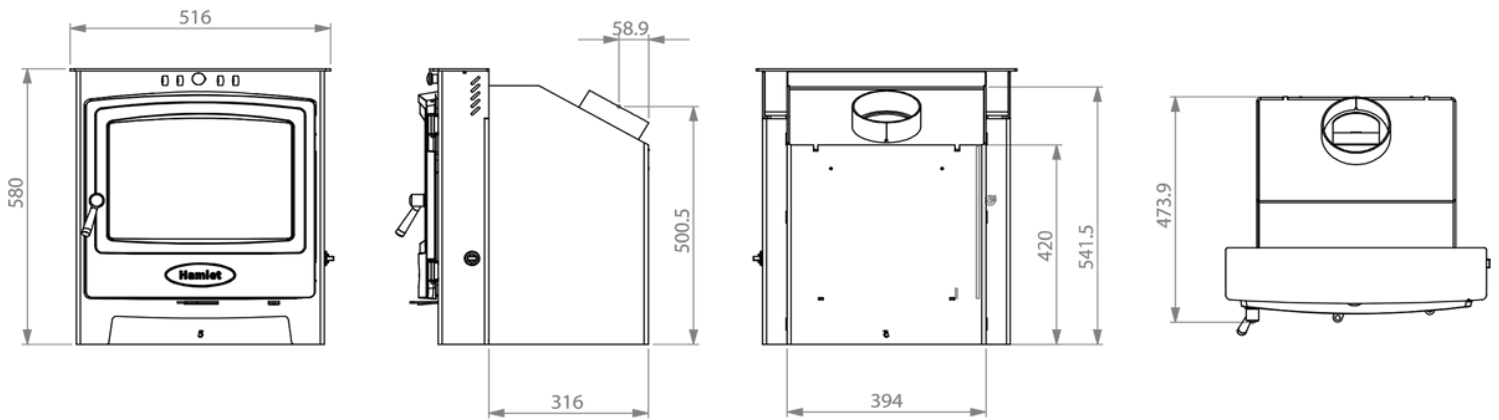
Width	517mm
Height	580mm
Depth	469mm
Ideal log length	200mm

Full specs overleaf



Optional Extras: Safety Handle

Solution 5 Inset (Series 4)



Dimensions

Width (across canopy and riddle boss)	517 mm
Height	580 mm
Depth (from rear to handle boss)	469 mm
Width into opening	394 mm
Height into opening	544 mm
Depth into opening	316 mm
Depth of front fascia	100 mm
Flue Diameter	127 mm
Flue Outlet Angle from vertical	30 °
Ideal log length / diameter	200mm / 100mm

Performance

	Wood Fuel	Solid Fuel
Energy Efficiency Class	A	E
Nett Efficiency	79.9 %	76 %
Nominal Output	5 kW	5 kW
Output Range	4.1 - 6.7 kW	
Mean Co Emission (@13% O2)	0.08 %	0.07 %
DIN+ particulate	14 Nmg/m3	12 Nmg/m3
Mean NOx Emission (@13% O2)	97 Nmg/m3	138 Nmg/m3
Mean OGC Emission (@13% O2)	79 Nmg/m3	30 Nmg/m3
Flue Gas Mass Flow	4.1 g/s	4.1 g/s
Flue Gas Temperature	274 °C	323 °C
Typical Fuel load for nominal rated output per hour (kWh/Kg)	1.44 (Seasoned hardwood)	0.76 (MSF Maxibrite)

Features

Stove body type	Inset
Ecodesign Ready	Yes
Suitable for smoke control areas	Yes
Suitable for direct air connection	No
Suitable for non-combustible 12mm hearth	No
Weight gross (packed kg)	89 Kg
Weight nett (unpacked kg)	83 Kg

Minimum distance to combustibles

Top	250 mm
Side	175 mm
Max hearth temp.	66 °C

We recommend this appliance is installed with clearance of 100mm to non-combustible materials. Installation and operating instructions for this stove are available online at www.aradastoves.com.

Solution 5 Windscreen



Features

Part of the Solution range that combines a traditional stove appearance with Ecodesign Ready credentials. This Windscreen stove has a large door glass with a beautiful flame view. This is a stylish and easy-to-use heating companion for the home.

- 4.9kW heat output
- Ecodesign 2022
- Burns wood or solid fuel
- 10 year guarantee
- Top or rear 5" flue

Dimensions

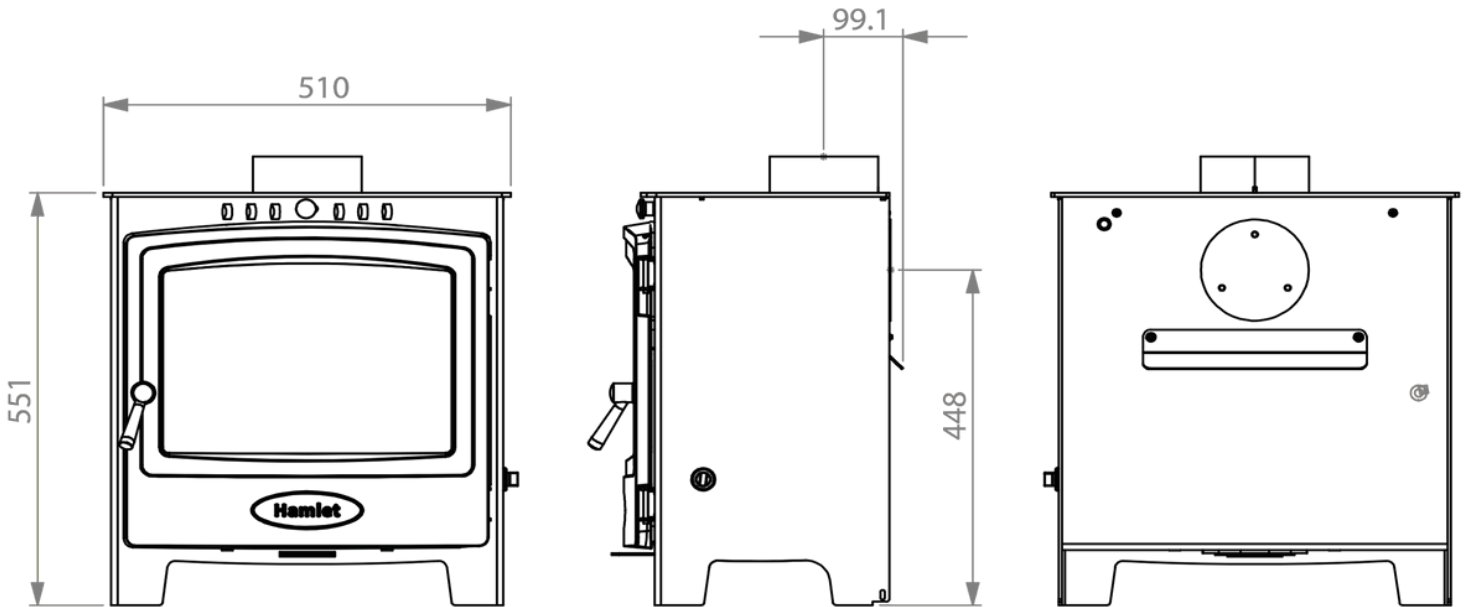
Width	519mm
Height	551mm
Depth	387mm
Ideal log length	330mm

Full specs overleaf



Optional Extras: Safety Handle / Rear heat shield / Direct air connection

Solution 5 Widescreen (Series 4)



Dimensions

Width (inc. riddling control)	518.5 mm
Height	551 mm
Depth	387 mm
Flue Diameter	127 mm
Depth from back to centre of top flue	82 mm
Height to centre of rear flue	448 mm
Ideal log length / diameter	330mm / 100mm

Features

Stove body type	Freestanding
Ecodesign Ready	Yes
Suitable for smoke control areas	Yes
Suitable for direct air connection	Yes *
Suitable for non-combustible 12mm hearth	Yes
Weight gross (packed kg)	80 Kg

Performance

	Wood Fuel	Solid Fuel
Energy Efficiency Class	A+	E
Nett Efficiency	82.5 %	79.4 %
Nominal Output	4.9 kW	4.9 kW
Output Range	3.8 - 6.6 kW	
Mean Co Emission (@13% O ₂)	0.12 %	0.05 %
DIN+ particulate	13 Nmg/m ³	25 Nmg/m ³
Mean NO _x Emission (@13% O ₂)	84 Nmg/m ³	121 Nmg/m ³
Mean OGC Emission (@13% O ₂)	113 Nmg/m ³	30 Nmg/m ³
Flue Gas Mass Flow	4.0 g/s	3.3 g/s
Flue Gas Temperature	240 °C	291 °C
Typical Fuel load for nominal rated output per hour (kWh/Kg)	1.17 (Seasoned hardwood)	0.73 (MSF Maxibrite)

Minimum distance to combustibles

	A	B	C
Rear	900 mm	450 mm	350 mm
Side	550 mm	550 mm	500 mm
Max hearth temp.	94 °C	94 °C	94 °C

A = Single Walled Flue, without Rear Heat Shield fitted
 B = Single Walled Flue, with Rear Heat Shield fitted
 C = Twin Walled Flue, with Rear Heat Shield fitted

Direct air spigot location

(when viewing the rear side of the stove)

Horizontal position	Centre
Distance from floor to centre	TBA mm

We recommend this appliance is installed with clearance of 100mm to non-combustible materials.

Installation and operating instructions for this stove are available online at www.aradastoves.com.

* Note: The optional direct air adaptor for this model is not room-sealed and should not be installed on a stove in an air-tight property.



Features

Part of the Solution range that combines a traditional stove appearance with Ecodesign Ready credentials. This large stove has a wide door glass with a beautiful flame view. This is a stylish and easy-to-use heating companion for the home that is exceptionally great value.

- 7kW heat output
- Ecodesign 2022
- Burns wood or solid fuel
- 10 year guarantee
- Top or rear 5" flue

Dimensions

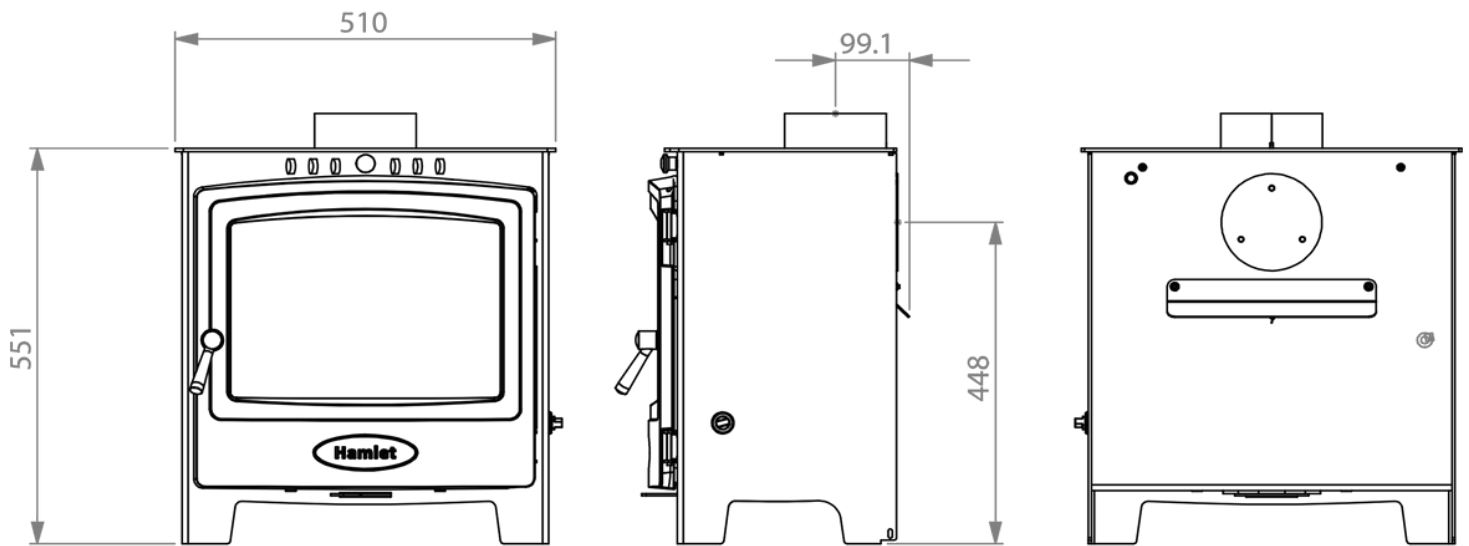
Width	518.5mm
Height	551mm
Depth	387mm
Ideal log length	330mm

Full specs overleaf



Optional Extras: Safety Handle / Rear heat shield / Direct air connection

Solution 7 (Series 4)



Dimensions

Width (inc. riddle control)	518.5 mm
Height	551 mm
Depth	387 mm
Flue Diameter	127 mm
Depth from back to centre of top flue	82 mm
Height to centre of rear flue	448 mm
Ideal log length / diameter	330mm / 100mm

Features

Stove body type	Freestanding
Ecodesign Ready	Yes
Suitable for smoke control areas	Yes
Suitable for direct air connection	Yes *
Suitable for non-combustible 12mm hearth	Yes
Weight gross (packed kg)	80 Kg

Performance

	Wood Fuel	Solid Fuel
Energy Efficiency Class	A	D
Nett Efficiency	77.9 %	81.5 %
Nominal Output	7.0 kW	7.1 kW
Output Range	5.2 - 8.1 kW	
Mean Co Emission (@13% O ₂)	0.12 %	0.06 %
DIN+ particulate	18 Nmg/m ³	24 Nmg/m ³
Mean NO _x Emission (@13% O ₂)	109 Nmg/m ³	120 Nmg/m ³
Mean OGC Emission (@13% O ₂)	107 Nmg/m ³	42 Nmg/m ³
Flue Gas Mass Flow	6.2 g/s	4.3 g/s
Flue Gas Temperature	291 °C	326 °C
Typical Fuel load for nominal rated output per hour (kWh/Kg)	1.55 (Seasoned hardwood)	1.0 (MSF Maxibrite)

Direct air spigot location

(when viewing the rear side of the stove)

Horizontal position	Centre
Distance from floor to centre	TBA mm

Minimum distance to combustibles

	A	B	C
Rear	650 mm	500 mm	350 mm
Side	650 mm	900 mm	650 mm
Max hearth temp.	53 °C	53 °C	53 °C

A = Single Walled Flue, without Rear Heat Shield fitted
 B = Single Walled Flue, with Rear Heat Shield fitted
 C = Twin Walled Flue, with Rear Heat Shield fitted

We recommend this appliance is installed with clearance of 100mm to non-combustible materials.

Installation and operating instructions for this stove are available online at www.aradastoves.com.

* Note: The optional direct air adaptor for this model is not room-sealed and should not be installed on a stove in an air-tight property.

Solution 7 Inset



Features

Ecodesign Ready and with a classic look. This 7.1 kW stove is multi fuel allowing you to burn seasoned wood or solid smokeless fuel and is easy to control. The Solution 7 Inset stove is certain to keep your home warm and cosy.

- 7.1kW heat output
- Ecodesign 2022
- Burns wood or solid fuel
- 10 year guarantee
- 5" flue outlet angle from verticle 30°

Dimensions

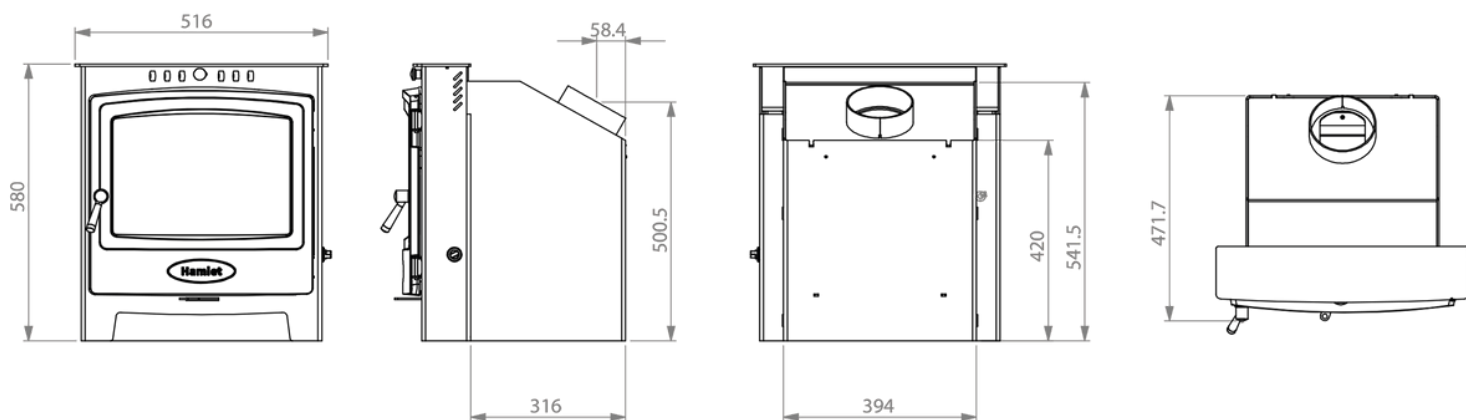
Width	517mm
Height	580mm
Depth	469mm
Ideal log length	300mm

Full specs overleaf



Optional Extras: Safety Handle

Solution 7 Inset (Series 4)



Dimensions

Width (across canopy and riddle boss)	517 mm
Height	580 mm
Depth (from rear to handle boss)	469 mm
Width into opening	394 mm
Height into opening	544 mm
Depth into opening	316 mm
Depth of front fascia	100 mm
Flue Diameter	127 mm
Flue Outlet Angle from vertical	30 °
Ideal log length / diameter	300mm / 100mm

Minimum distance to combustibles

Top	200 mm
Side	175 mm
Max hearth temp.	70 °C

Features

Stove body type	Freestanding
Ecodesign Ready	Yes
Suitable for smoke control areas	Yes
Suitable for direct air connection	No
Suitable for non-combustible 12mm hearth	No ¹
Weight gross (packed kg)	91 Kg
Weight nett (unpacked kg)	85 Kg

Performance

	Wood Fuel	Solid Fuel
Energy Efficiency Class	A	E
Nett Efficiency	75.4 %	75.8 %
Nominal Output	7.1 kW	7.1 kW
Output Range	5 - 8.6 kW	
Mean Co Emission (@13% O2)	0.11 %	0.08 %
DIN+ particulate	27 Nmg/m3	27 Nmg/m3
Mean NOx Emission (@13% O2)	95 Nmg/m3	159 Nmg/m3
Mean OGC Emission (@13% O2)	92 Nmg/m3	43 Nmg/m3
Flue Gas Mass Flow	6.23 g/s	6.4 g/s
Flue Gas Temperature	326 °C	332 °C
Typical Fuel load for nominal rated output per hour (kWh/Kg)	1.62 (Seasoned hardwood)	1.08 (MSF Maxibrite)

We recommend this appliance is installed with clearance of 100mm to non-combustible materials. Installation and operating instructions for this stove are available online at www.aradastoves.com.

ARADA
— DEVON —

Issue 02 05/24

All images are for illustration purposes only. This range is distributed in Northern Ireland & Ireland by Micon Distribution LTD, www.micon-dist.com